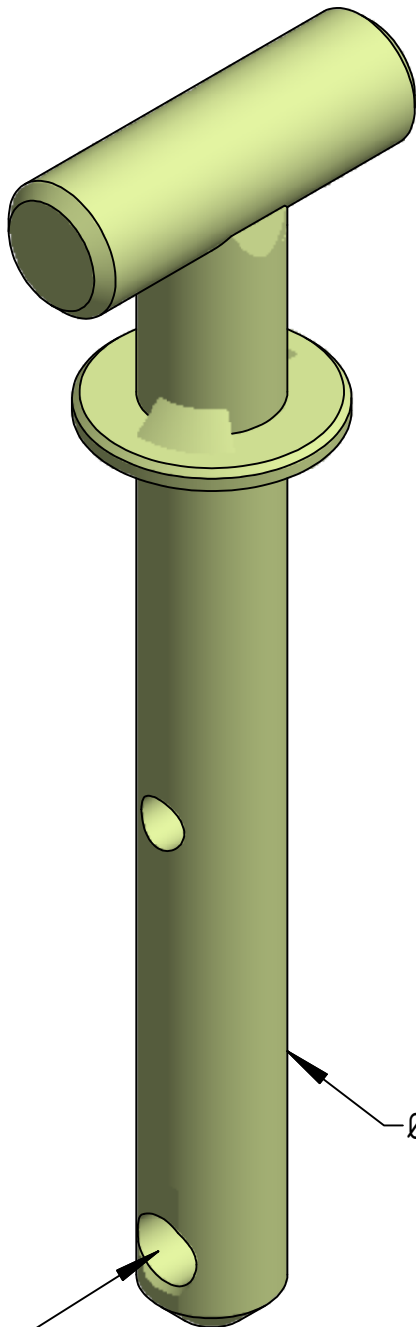
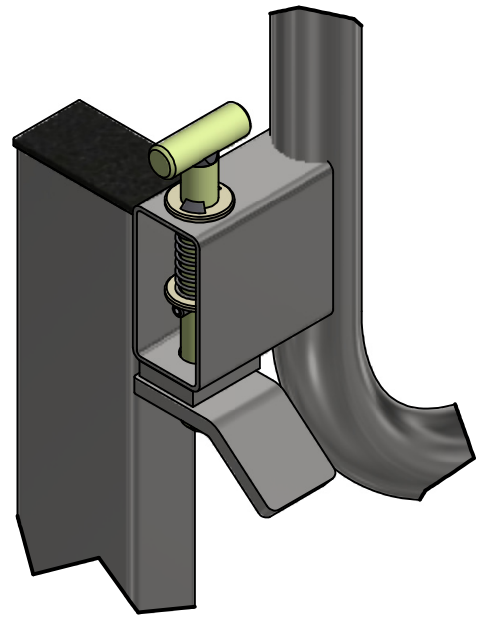


USED AS PART OF THE LOCKING
ASSEMBLY ON A MANUAL SWING GATE

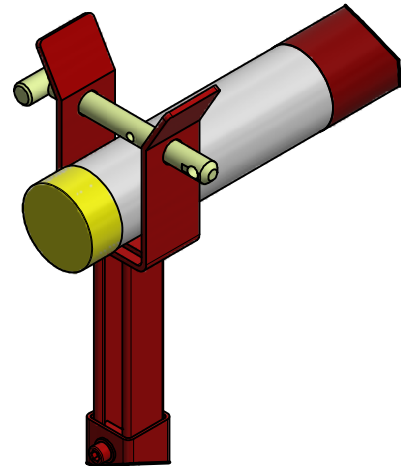


Ø11mm HOLE
FOR PADLOCK

Ø20mm BAR



USED FOR ADDITIONAL LOCKING AT THE
END OF THE BOOM ON A MANUAL ARM BARRIER



THE INFORMATION PROVIDED ON THIS DRAWING IS FOR REPRESENTATION PURPOSES ONLY AND SHOULD NOT BE USED FOR MANUFACTURE.
ALL DIMENSIONS ARE IN MILLIMETERS AND ARE TO BE USED FOR REFERENCE ONLY AND SHOULD NOT BE TAKEN AS ACTUALS.
AUTOPA RESERVE THE RIGHT TO CHANGE SPECIFICATIONS WHEN NECESSARY.

TITLE

SWG PIN 19 ASSY

Part Number: 138500686

Printed: 30/03/2021