

VELOPA TOAST RACK ASSEMBLY DETAILS

NOTE:

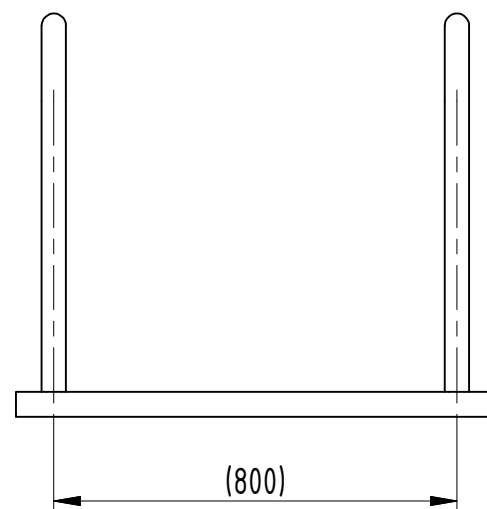
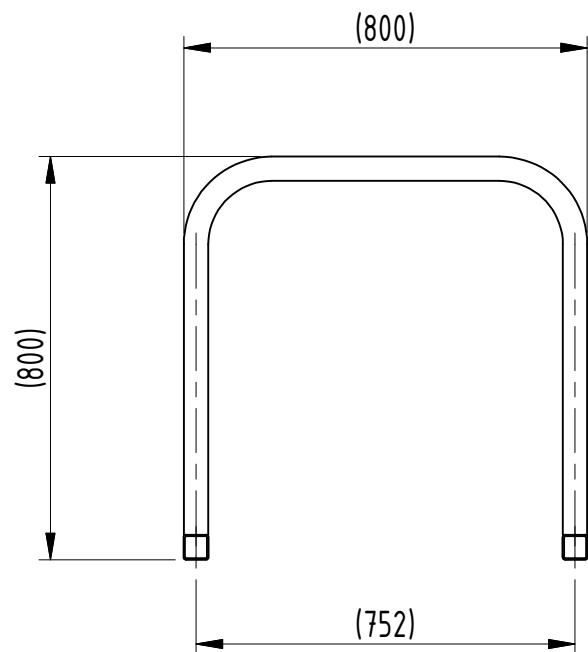
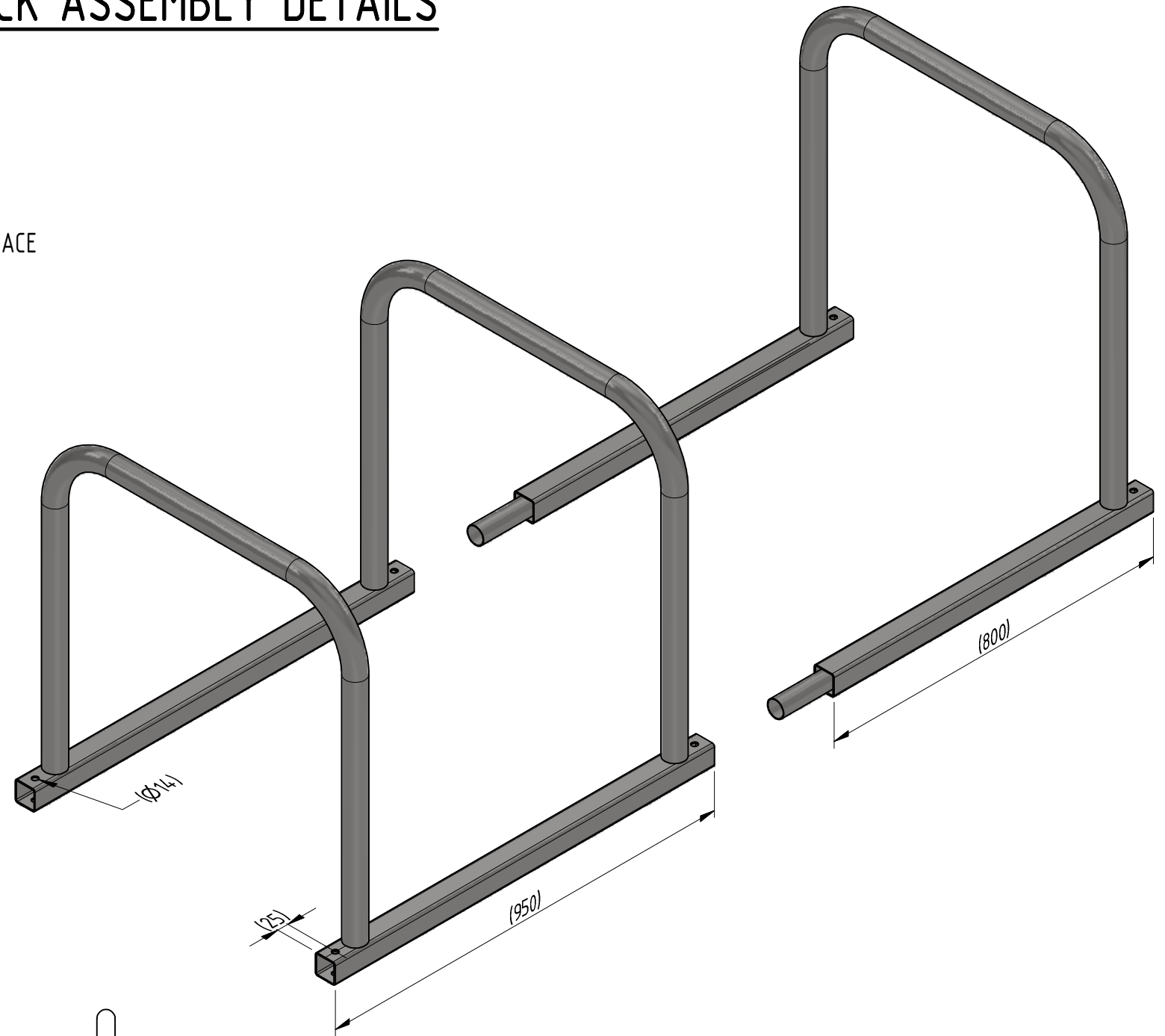
ONLY THE END FIXING ARE USED TO SECURE THE RACK TO A SUITABLE CONCRETE SURFACE

ON ALL RACKS OF 3 OR MORE THE INNER FIXINGS HOLES ARE NOT USEABLE.
TO USE ADDITIONAL FIXINGS THEN DRILL THROUGH THE HOLES IN THE EXTENSION
ASSEMBLIES (INNER FIXING HOLES) WHERE REQUIRED.

BOLT INFORMATION

M12 FOUNDATION BOLTS (NEW / OLD CONCRETE)

QUANTITY: 4 MINIMUM



TITLE

TOAST RACK ASSEMBLY DETAILS

Part Number: REFERENCE ONLY

Printed: 22/5/2020