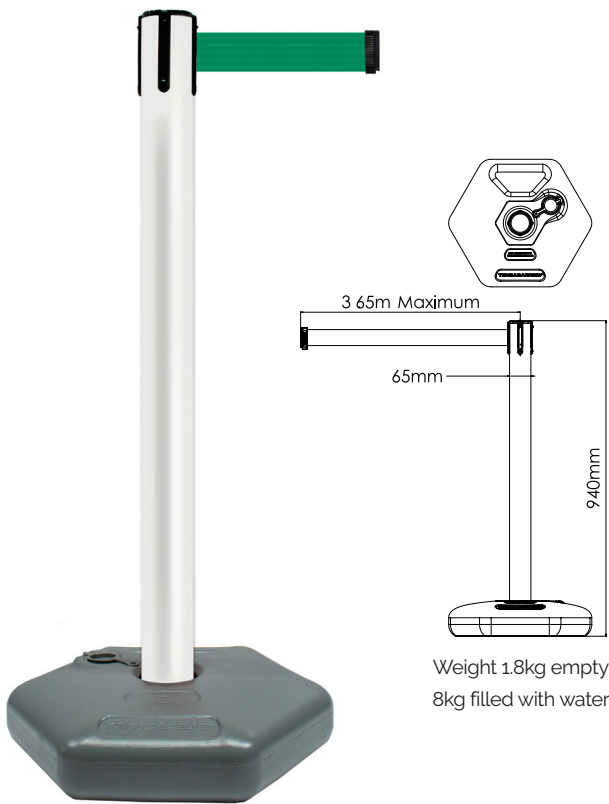
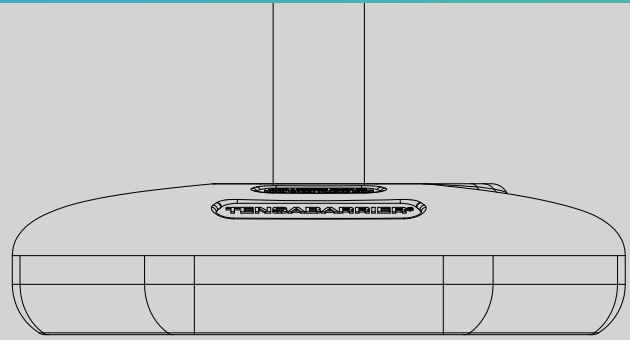


# 885 Outdoor Post

Weather resistant. Features a fillable base for a permanent or temporary barrier solution. Ideal for outdoor applications.



## Features & Benefits

- The outdoor post features a lightweight plastic post that screw fixes into a hollow plastic base that can be filled with either sand or water to stabilise.
- When empty, the base can be easily moved, or quickly dismantled from the post. The hexagonal base allows for it to be stacked for easy storage and has a carry handle for easier transportation.
- The filling point on the base is easily located to be able to remove quickly and maximise filling volume of either sand or water.
- Weather resistant for outdoor use, but shouldn't be permanently placed outside.
- Safest barrier on the market – our cassettes have a unique braking system for slower webbing retraction.

## Product Specification

- Plastic post available in 4 UV stable colours.
- Grey plastic fillable base, which allows for temporary or permanent retractable barrier system.
- Shipped flat packed with no tools required.
- Available with any Tensator® standard (50mm) webbing options.
- Modular webbing cassette – all cassettes come as standard with our four-point anti-tamper webbing connectivity. This allows you to connect other Tensabarrier® products to the receiver splines on the cassette head.
- Compatible with all Tensabarrier® accessories including our range of post top signage.
- Available to buy in a twin pack.

## Applications

- Ideal for garden centres and outdoor retail spaces.
- Use to guide public during events.
- Eliminate unsafe working conditions by clearly defining routes.
- Restrict access to dangerous areas.
- Indoor and outdoor use.

### Order Code

885 – Single Outdoor Post

885/2 – Twin pack - Outdoor Post

### Product Configuration

#### Base Options



Outdoor Base

#### Post Finishes



Four plastic finishes available

#### Webbing Options



Standard Webbing

50mm width

#### Webbing Lengths



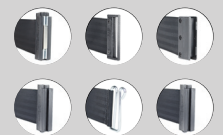
Two lengths available

#### Webbing Designs



Full range of colours, designs and custom options

#### Tape End Options



Six tape end options available

MILTON KEYNES  
+44 1908 684 600

NEW YORK  
+1-800-441-0019

DUBAI  
+971 4 2997 228

PARIS  
+33 1 43 09 85 00

FRANKFURT  
+49 69 3003 89 010

WROCLAW  
+48 71 359 3800