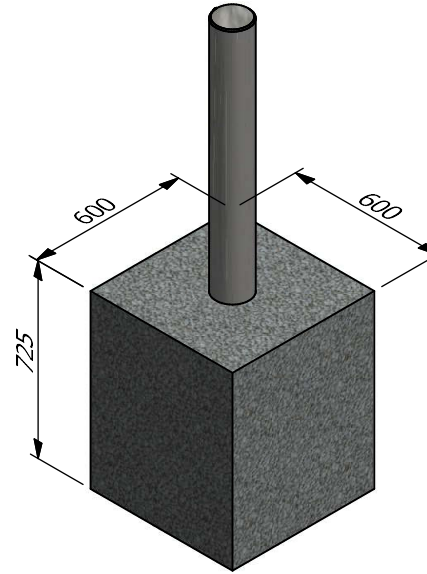
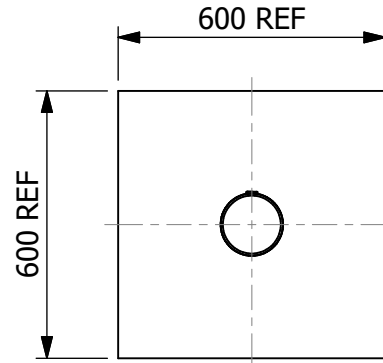


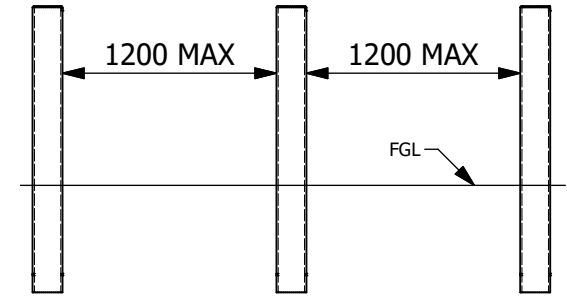
This drawing is Copyright © of Hill & Smith Ltd and protected under UK and International law. All rights reserved. This drawing may not be copied in whole or in part or used for any other purpose other than for that which it is supplied without express written consent from the company.



Plug Detail

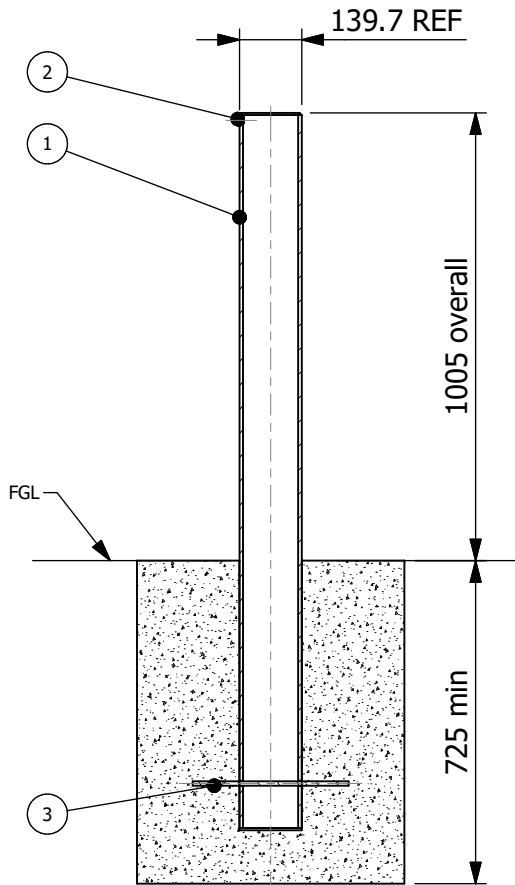


Isometric view

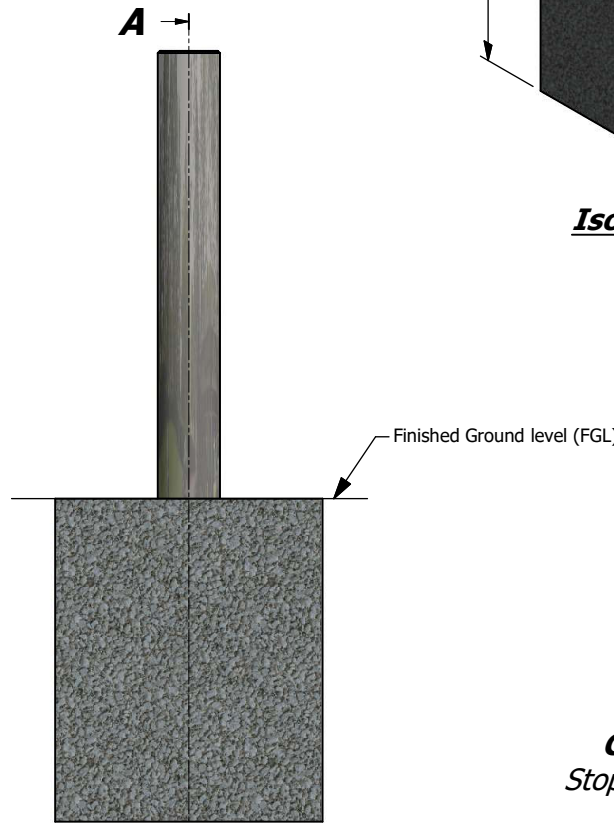


Multiple Bollard Installation

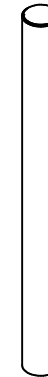
The Gap between the bollards must not be greater than 1200mm @ 600mm following IWA14-2:2013 specifications



Section A-A



Front view



CM1110
Stopper 10 44.38 kg



CM10525
Plug 16 0.01 kg

RR10-350
Rebar 0.21 kg

Notes:

- A) Dimension in mm
- B) Concrete for foundations to have a min. 28 day characteristic strength of 45MPa for Ø150x300mm cylinder or 50MPa for 150mm cube test, prior to the VRS being commissioned.
- C) For further details of our system, please go to our website as listed below.
- D) All Bollards to be positioned centrally within their foundations, unless stated otherwise.
- E) The Gap between the bollards must not be greater than 1200mm.
- F) Installation tolerances (on elevation) - ±5mm



Test Body: MIRA U.K.
Report No: 1214818-002-006-01 (T0302)
Product REF: BSTP10

Bristorm Bollard
Stopper 10 - Cast in

Performance:
PAS170-1:2017 Bollard IT/2500/16/90:0.1

Date: 11/09/2018
Revision: D
Sheet: 1/1

PD-PASHVMBS-150

PARTS LIST per bollard			
REF.	QTY	ITEM NUMBER	ITEM NAME
1	1	CM11110	Bristorm Bollard Stopper 10 - Cast in
2	1	CM10525	Plug 16
3	1	RR10-350	Rebar D10 Code 00 L350