

ANGLED CORNER safety barrier

>> New size: length 430 mm <<



TECHNICAL CHARACTERISTICS

- > 2 versions :
 - Lg 580 x W 580 x H 430 mm
 - Lg 800 x W 800 x H 1000 mm
- > Made of Ø 60 mm steel tube,
gauge: 3 mm

INSTALLATION

- > Mounted on base plates or root-fixed

CODE

	galvanised	zinc primed
Lg 580 x W 580 x H 430 mm		
On base plates	294415	294416
Concrete fix	204415	204416
Lg 800 x W 800 x H 1000 mm		
On base plates	294506	294507
Concrete fix	204506	204507

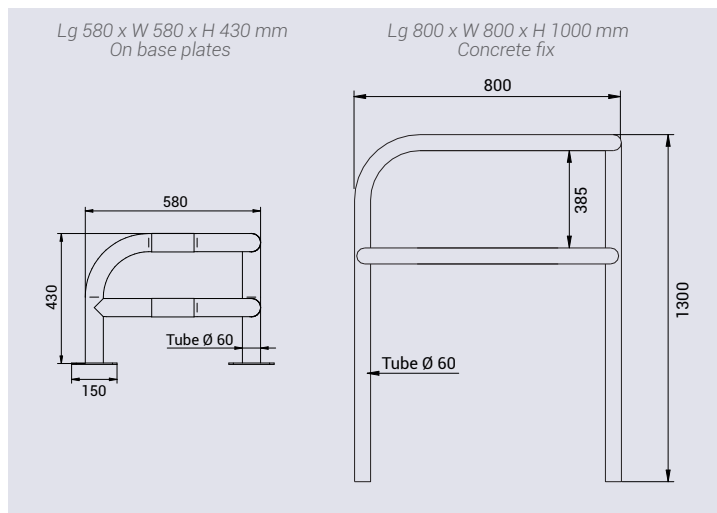


Code 294507



Code 204506

DRAWING



Code 294416

FINISH

- > Galvanised or zinc primed in RAL1021 with black stripes



Galva



Yellow RAL 1021 with black stripes