

TRAFFIC & INDUSTRIAL SAFETY MIRRORS



RED & WHITE FRAME

PRODUCT CODE

P.A.S.® optics ▶ Code 9195

GUARANTEE



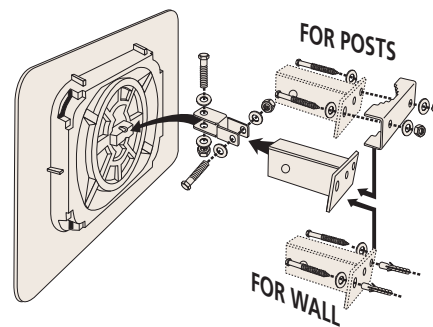
- > Unbreakable > Light > Unalterable
- > Anti-UV treated > 5 year guarantee.



TECHNICAL SPECIFICATION

- > Lens: P.A.S.® optics, anti-UV treatment & scratch resistant and antistatic - Mirror size: 932x436 mm
- > ABS frame in white with red reflectors
- > Packaging dimensions: 1100x440x650 mm
- > Gross weight: 9.1 kg
- > Angle of convexity: for a field of vision of approximately 180° used at junctions where users are coming from 3 different directions
- > Maximum viewing distance between the mirror and viewer: approx 10 m
- > Fixing kit supplied
- > Full guarantee (mirror, frame and fixings)*
- > Manufactured in France
- > 100% recyclable

FIXING KIT DIAGRAM



Supplied complete with bolts and brackets kit, adaptable for walls or for posts 60 to 90mm in diameter. Kit is robust, tested to withstand winds of up to 183km/h. Easy to install, allowing precise adjustment of the position of the mirror.

DIMENSIONS

