

TRAFFIC & INDUSTRIAL SAFETY MIRRORS



RED AND WHITE FRAME

PRODUCT CODE

Polymir® optics ► Code 554

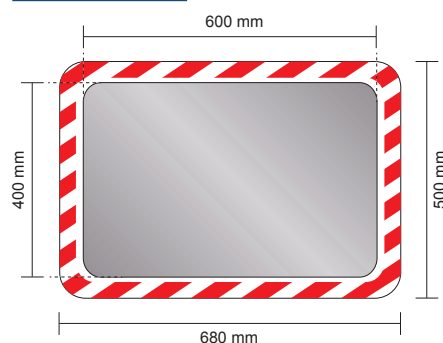
P.A.S.® optics ► Code 956



TECHNICAL SPECIFICATION

- > Lens: Polymir (554) or PAS (956) optic 600 x 400 mm
- > Frame: Red & white
- > Packaging dimensions: 770 x 140 x 780 mm
- > Gross weight: 4.6 kg
- > Angle of convexity: for a field of vision of approximately 90° used at junctions where users are coming from 2 different directions
- > Maximum distance between the mirror and viewer: approx. 9m
- > Fixing kit supplied
- > Full guarantee (mirror, frame and fixings)*
- > Manufactured in France
- > 100% recyclable
- > Option: Anti-frost and anti-condensation system: the VIALUX CH model is fitted with anti-frost and anti-condensation system obtained from a self-regulating heating film 220 V/50-100 W. Factory fitted. Fuse box not supplied

DIMENSION



GUARANTEE



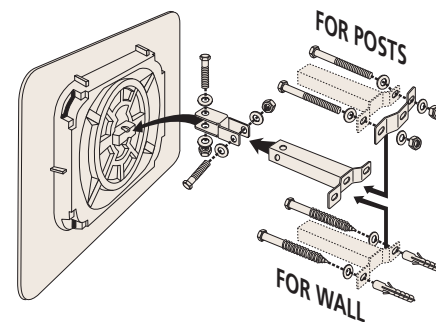
> Unbreakable > light > unalterable
> 3 year guarantee.



> Unbreakable > light > unalterable
> Anti-UV treated > 5 year guarantee.

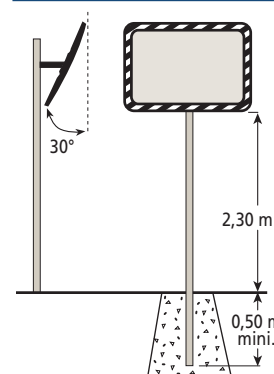


FIXING KIT DIAGRAM



Supplied complete with bolts and brackets kit, adaptable for walls or for posts 60 to 90mm in diameter. Kit is robust, tested to withstand winds of up to 183km/h. Easy to install, allowing precise adjustment of the position of the mirror.

RECOMMENDED INSTALLATION



*Under normal operating conditions