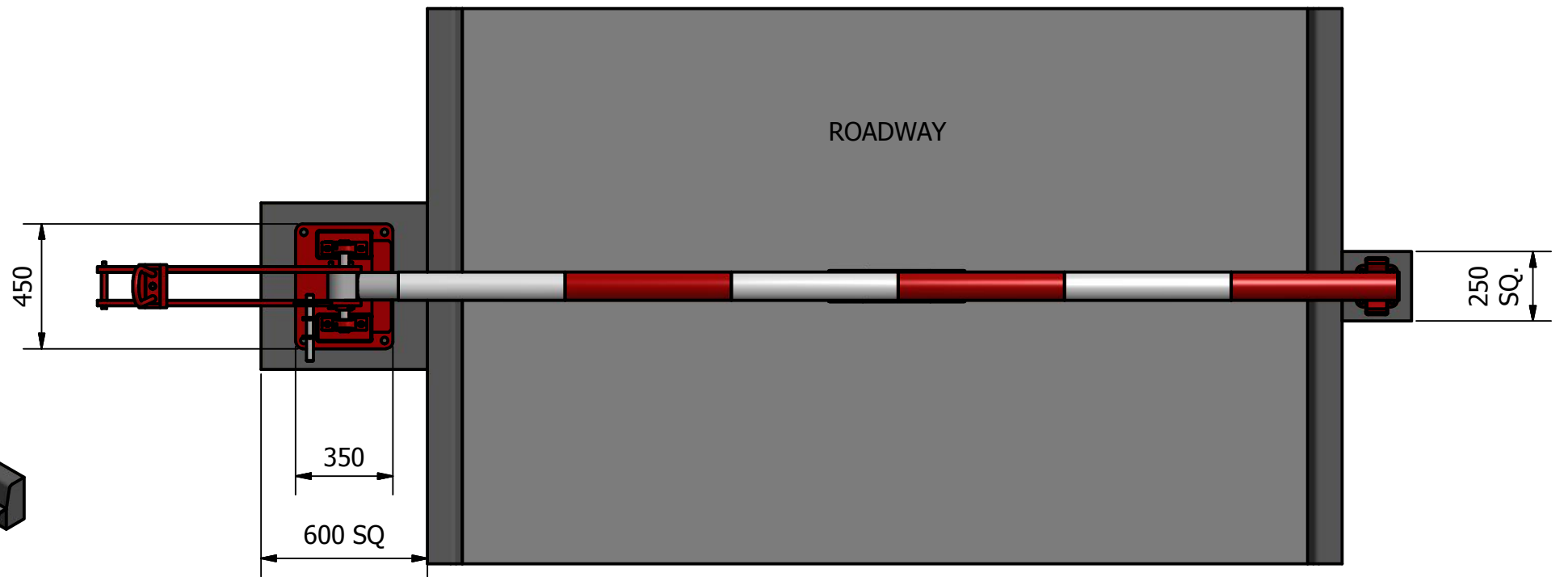
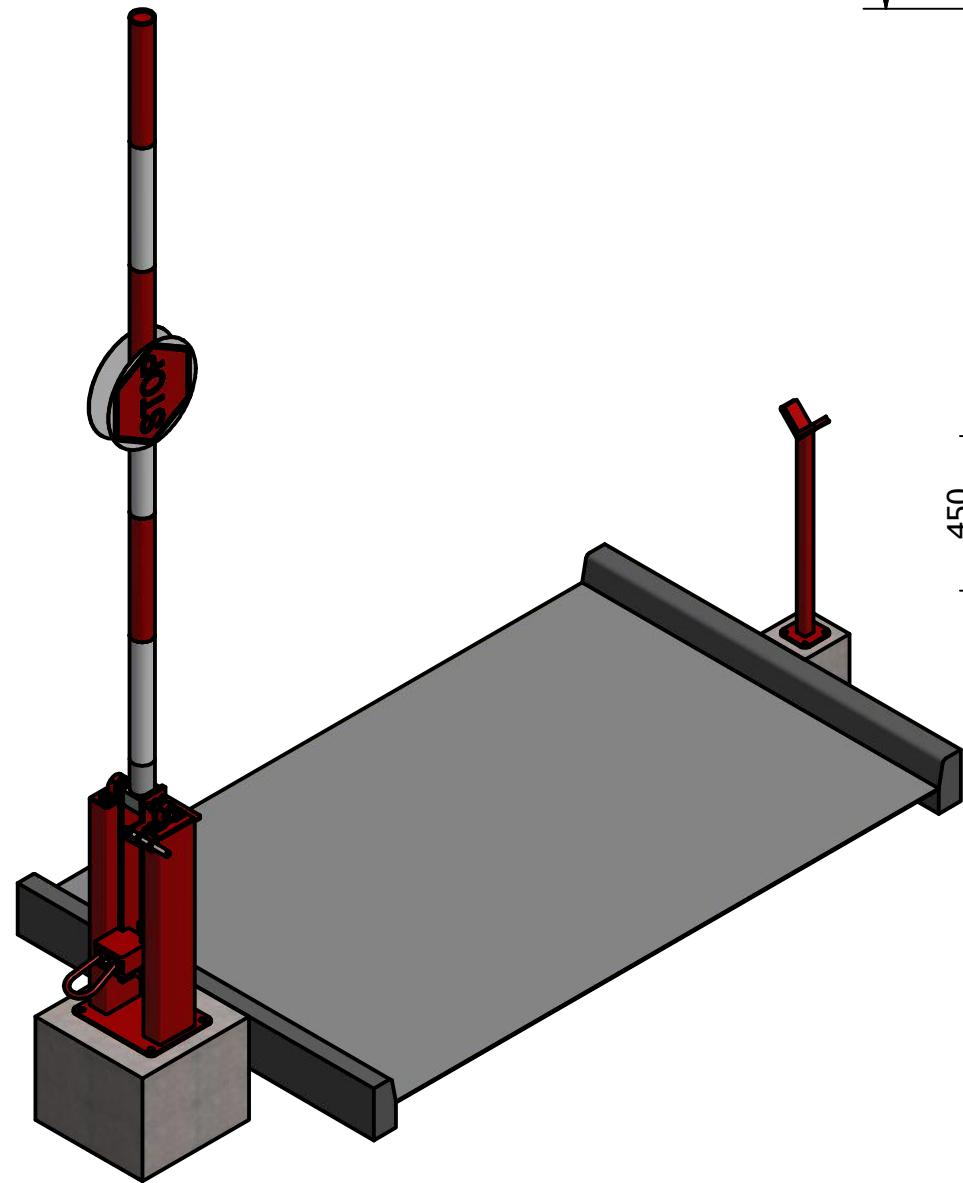
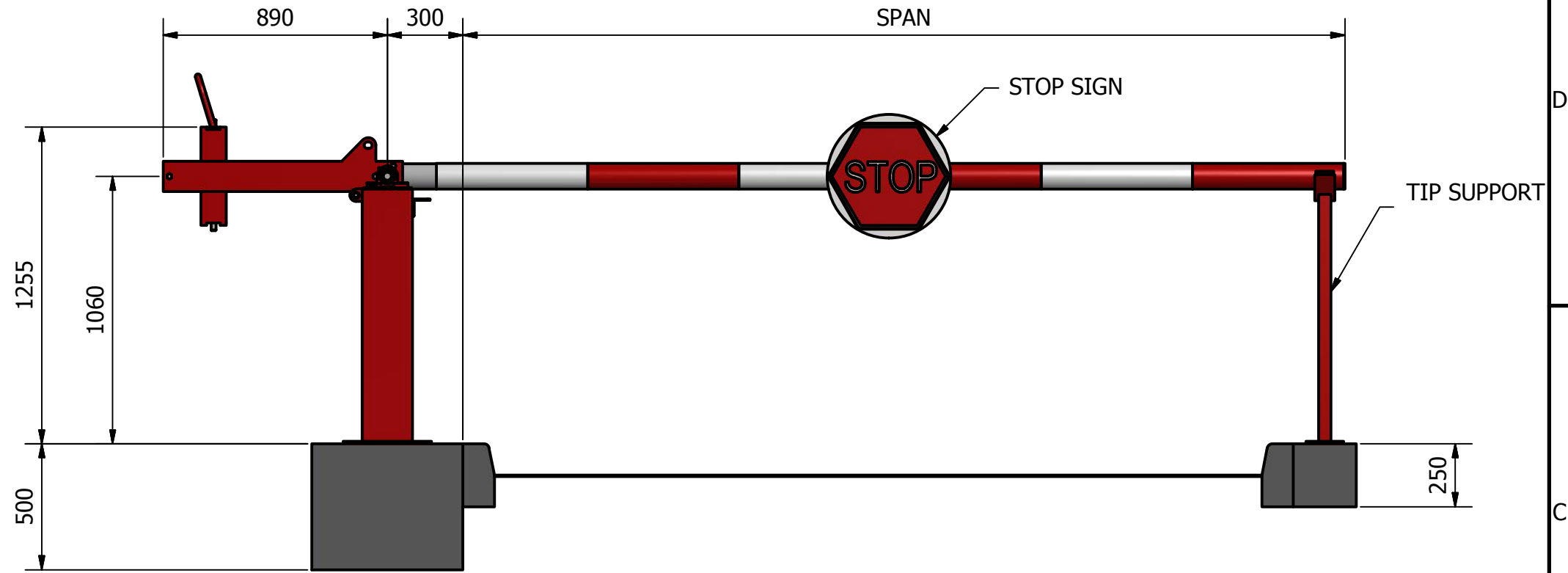


FOUNDATIONS:

CONCRETE TO BE CAST A MINIMUM OF 7 DAYS BEFORE INSTALLATION OF EQUIPMENT.
(GRADE C32/40 - 20mm GRAVEL)
FOUNDATIONS SHOULD BE SMOOTH, FLAT AND LEVEL WITH EACH OTHER

OPTIONAL ACCESSORIES:

PVC / ALUMINIUM CURTAIN (HALF)
STOP SIGNS
TIP SUPPORT POST



| | | | |
|-----------------------------------------------------------------------------------------------------------------------|-----------------------------|-------------------------------------------------------------|---------------|
| ±1.0mm UOS | Finish AS PER CONTRACT | | |
| DESIGNED BY J.DAVIS | MATERIAL AS PER CONTRACT | DATE 15/02/2013 | |
| NEWGATE (NEWARK) LTD BRUNEL DRIVE, NEWARK, NOTTS. NG24 2DE TELEPHONE 01636 700172 EMAIL SALES@NEWGATE.UK.COM | | TITLE LAYOUT - MANUAL RISING ARM BARRIER (UP TO 8.5m) | |
| PART No 105/3/37368 | | ISSUE A | SHEET 1/ 1 |