

MULTI-PURPOSE MIRRORS

TO VIEW 2 DIRECTIONS

CODE

> 919



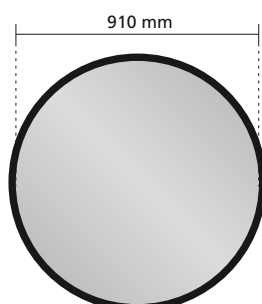
TECHNICAL SPECIFICATIONS

- > Lens: PAS[®] - Ø 910 mm
- > Frame: black protective rubber edging
- > Packaging dimensions: 960x140x980 mm
- > Gross weight: 9.5 kg
- > Angle of convexity: for a field of vision of approximately 90° used at junctions where users are coming from 2 different directions
- > Maximum viewing distance between the mirror and viewer: approx 25 m
- > Fixing kit supplied
- > Full guarantee (mirror, frame and fixings)*
- > Manufactured in France
- > 100% recyclable

OPTIONAL

- > Optional: anti-frost and anti-condensation system (code CH) obtained from a self-regulating heating film 220 V/50-100 W. Factory fitted. Fuse box not supplied

DIMENSIONS

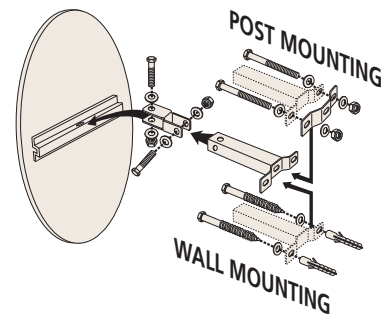


GUARANTEES

- > Unbreakable
- > Light
- > Unalterable
- > Shock resistant
- > Anti-UV treated
- > Antistatic & anti-scratch treatment: cleaner for longer!
- > 5 year guarantee



FIXING KIT DIAGRAM



Supplied complete with bolts and brackets kit, adaptable for walls or for posts 60 to 90mm in diameter. Kit is robust, tested to withstand winds of up to 183km/h. Easy to install, allowing precise adjustment of the position of the mirror.

RECOMMENDED POST INSTALLATION

