

# INDUSTRIAL SAFETY MIRRORS



## YELLOW AND BLACK FRAMED INDUSTRIAL MIRRORS

### PRODUCT CODES

Polymir® optics ▶ Code 584

P.A.S.® optics ▶ Code 984



### GUARANTEE



> Unbreakable > light > unalterable  
> 3 year guarantee.



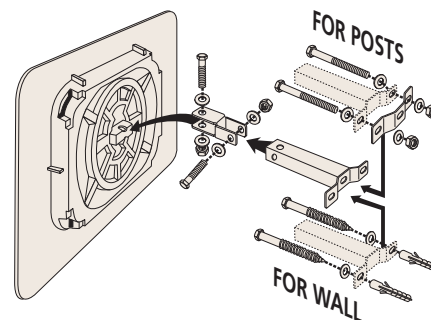
> Unbreakable > light > unalterable  
> Anti-UV treated > 5 year guarantee.



### TECHNICAL SPECIFICATIONS

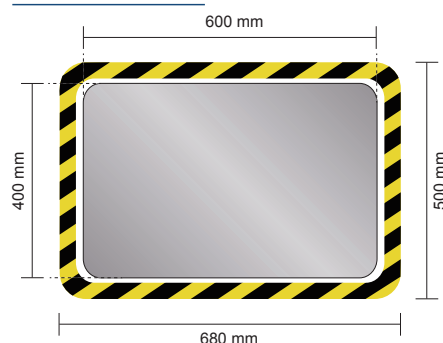
- > Lens: Polymir (584) or PAS (984) - optic 600 x 400 mm
- > Frame: yellow and black
- > Packaging dimensions: 770x140x780 mm
- > Gross weight: 4.6 kg
- > Angle of convexity: for a field of vision of approximately 90° used at junctions where users are coming from 2 different directions
- > Maximum distance between the mirror and viewer: approx. 9m
- > Fixing kit supplied
- > Full guarantee (mirror, frame and fixings)\*
- > Manufactured in France
- > 100% recyclable
- > Option: anti-frost and anti-condensation system obtained from a self-regulating heating film 220 V/50-100W (Product code. CH). Factory fitted. Fuse box not supplied.

### FIXING KIT DIAGRAM

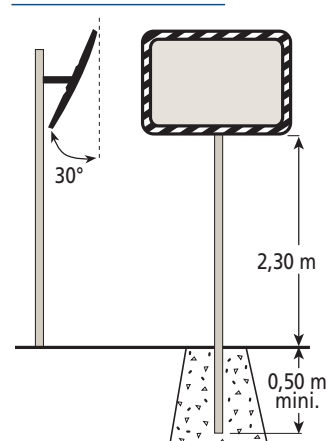


Supplied complete with bolts and brackets kit, adaptable for walls or for posts 60 to 90mm in diameter. Kit is robust, tested to withstand winds of up to 183km/h. Easy to install, allowing precise adjustment of the position of the mirror.

### DIMENSIONS



### INSTALLATION



[www.vialux-mirrors.co.uk](http://www.vialux-mirrors.co.uk)

\*Under normal operating conditions