

RED & WHITE FRAME MIRRORS

CODE

Polymir® optics ▶ Code 548

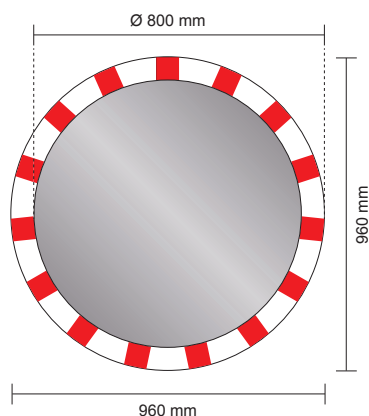
P.A.S.® optics ▶ Code 948



TECHNICAL SPECIFICATIONS

- > Lens: Polymir (548) or PAS (948) optics
Ø 800 mm
- > Frame: red & white
- > Packaging dimensions: 970x130x990 mm
- > Gross weight: 8.3 kg
- > Angle of convexity: for a field of vision of approximately 90° used at junctions where users are coming from 2 different directions
- > Fixing kit supplied
- > Full guarantee (mirror, frame and fixings)*
- > Manufactured in France
- > 100% recyclable
- > Optional: anti-frost and anti-condensation system (code CH) obtained from a self-regulating heating film 220 V/50-100 W. Factory fitted. Fuse box not supplied

DIMENSIONS



GUARANTEES



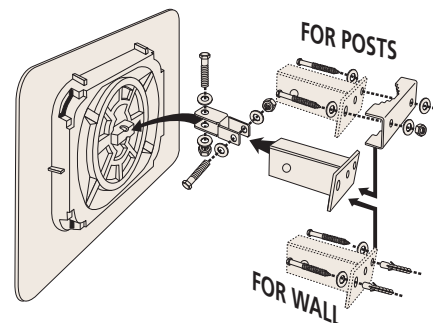
> Unbreakable > light > unalterable
> 3 year guarantee.



> Unbreakable > light > unalterable
> Anti-UV treated > 5 year guarantee.



FIXING KIT DIAGRAM



Supplied complete with bolts and brackets kit, adaptable for walls or for posts 60 to 90mm in diameter. Kit is robust, tested to withstand winds of up to 183km/h. Easy to install, allowing precise adjustment of the position of the mirror.

RECOMMENDED INSTALLATION

