

# DRIVEWAY EXIT MIRRORS



## WIDE ANGLE DRIVEWAY MIRRORS

### PRODUCT CODE

P.A.S.® optics ▶ Code 5000

### GUARANTEE



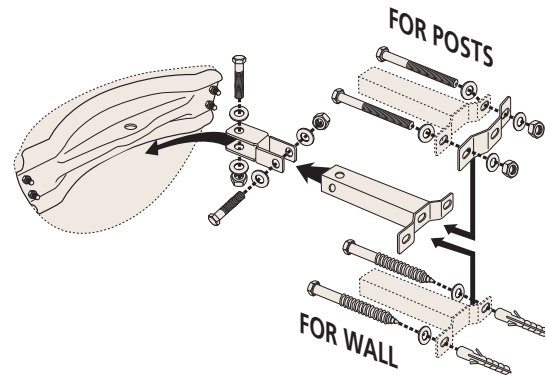
> Unbreakable > Light > Unalterable  
> 5 year guarantee.



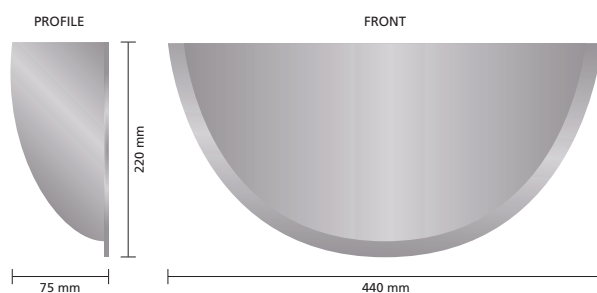
### TECHNICAL SPECIFICATION

- > Lens: PAS
- > Packaging dimensions: 460 x 90 x 440 mm
- > Gross weight: 1.8 kg
- > Angle of convexity: for a field of vision of approximately 180°
- > Maximum distance between the mirror and viewer: approx. 4m
- > Fixing kit supplied
- > Full guarantee (mirror, back and fixings)\*
- > Manufactured in France
- > 100% recyclable

### FIXING KIT DIAGRAM



### DIMENSIONS



\*Under normal operating conditions