

SURVEILLANCE MIRRORS



LARGE SECURITY SURVEILLANCE MIRRORS

CODE

108

GUARANTEE



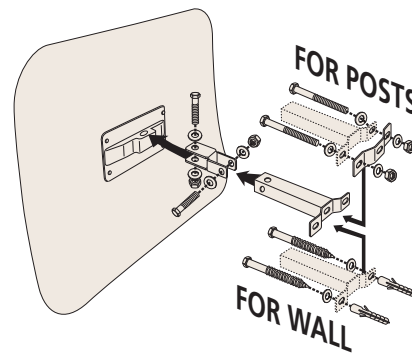
> Unbreakable > Light > Unalterable > 3 year guarantee



TECHNICAL SPECIFICATIONS

- > Lens: Polymir - Ø 800 mm
- > Packaging dimensions: 830x80x850mm
- > Gross weight: 4.3 kg
- > Angle of convexity: for a field of vision of approximately 90° used at junctions where users are coming from 2 different directions
- > Maximum viewing distance between the mirror and viewer: approx 15m
- > Fixing kit supplied
- > Full guarantee (mirror and fixings)*
- > Manufactured in France
- > 100% recyclable

FIXING KIT DIAGRAM



Mirrors are supplied complete with fully adjustable bolts and bracket kit for wall mounting for posts 34 to 90 mm in diameter.

DIMENSIONS

