

# SURVEILLANCE MIRRORS



## LARGE SECURITY SURVEILLANCE MIRRORS

### CODE

119

### GUARANTEE



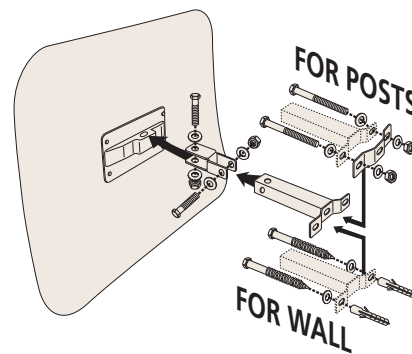
> Unbreakable > Light > Unalterable > 3 year guarantee



### TECHNICAL SPECIFICATIONS

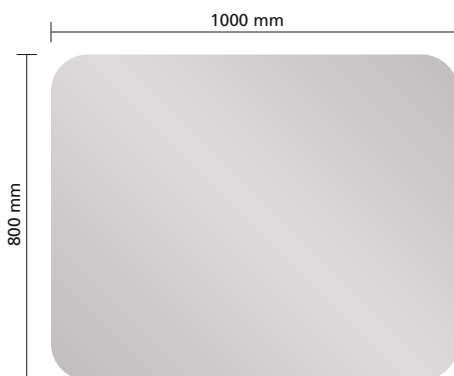
- > Lens: Polymir
- > Packaging dimensions: 990 x 140 x 800 mm
- > Gross weight: 5.6 kg
- > Angle of convexity: for a field of vision of approximately 90° used at junctions where users are coming from 2 different directions
- > Maximum viewing distance between the mirror and viewer: approx 30m
- > Fixing kit supplied
- > Full guarantee (mirror and fixings)\*
- > Manufactured in France
- > 100% recyclable

### FIXING KIT DIAGRAM



Mirrors are supplied complete with fully adjustable bolts and bracket kit for wall mounting for posts 34 to 90 mm in diameter.

### DIMENSIONS



\*Under normal operating conditions