

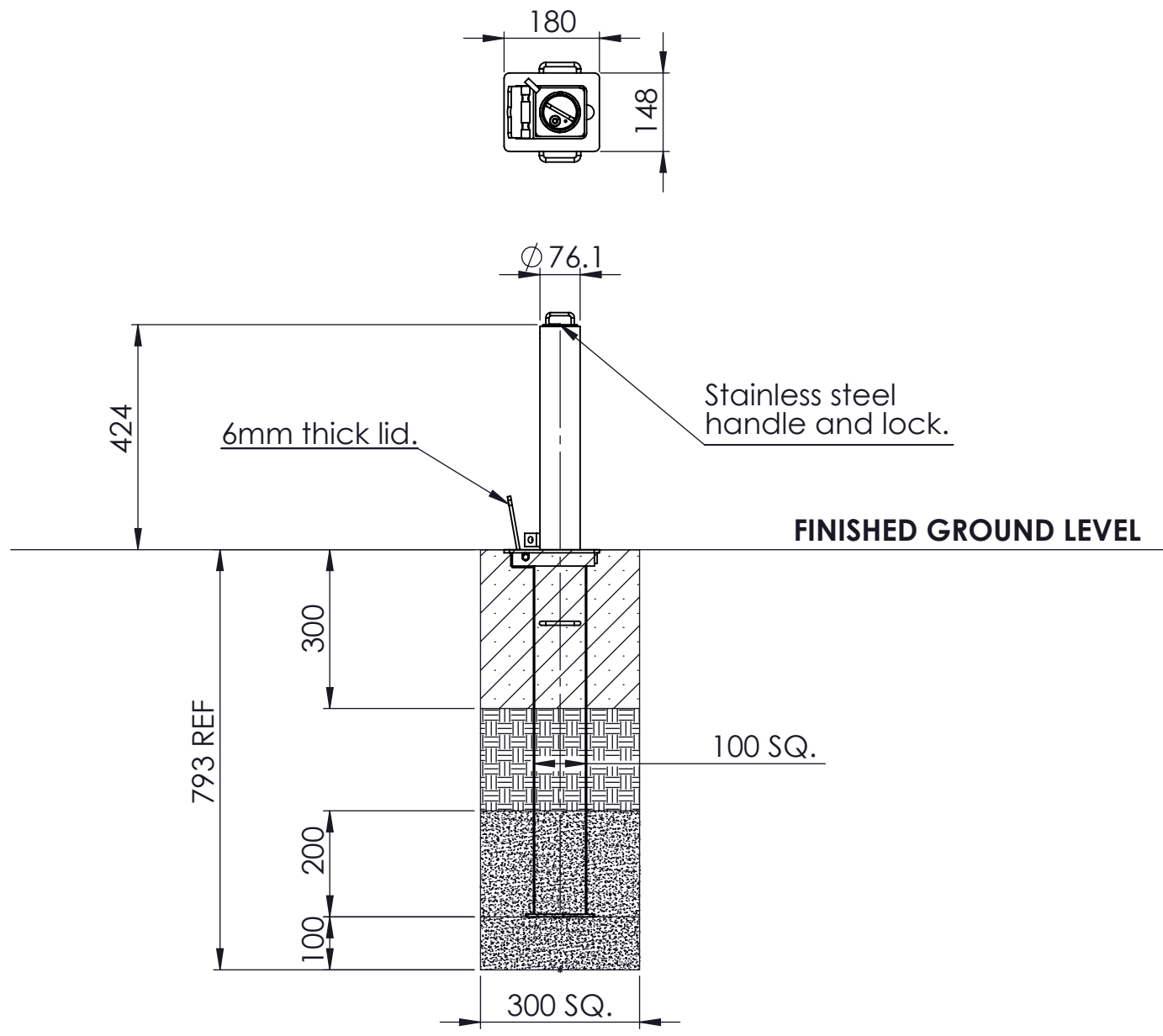
1 2 3 4 5 6

A

B

C

D



**PRODUCT SPECIFICATION**

**MATERIAL:**  
 BOLLARD: GRADE S235 MILD STEEL, 4mm WALL  
 SOCKET: GRADE S235 MILD STEEL (5mm)

**FINISH:**  
 BOLLARD: HOT DIP GALVANISED - BS EN 150 1461 (1999), available with, POLYESTER POWDER COATED

SOCKET: HOT DIP GALVANISED - BS EN 150 1461 (1999),

**WEIGHT:**  
 SOCKET: 15KG Approx  
 BOLLARD: 6KG Approx

- TELESCOPIC INSTALLATION:**
1. Determine suitable location for telescopic bollard. Perform visual checks, scan and check drawings for utilities/live cabling.
  2. Evacuate cubed foundation for bollard. Insert 100mm of pea gravel in the hole for drainage purposes. (Guidance: See Drawing)
  3. Locate bollard centrally in evacuation hole, insert a further 200mm of pea gravel. Back fill earth till 300mm from ground level.
  4. Cast C30 concrete or similar medium slump around socket. Ensure socket is vertical in all planes. Smooth off concrete to allow slight fall away from socket.
  5. Allow the foundation to cure. Concrete should be protected by polythene during the first 24 hours following installation.

Foundation sizes given are for customer guidance and suited to sub-soils with good load bearing capabilities. Where adverse site conditions are met professional advice to be sought.

For operation and maintenance please refer to the **Marshalls Street Furniture Maintenance Guide.**

A	FIRST ISSUE	14/11/13	MB
RevNo	Revision Note	Date	Signature

Title:  
**RD4 DOMESTIC TELESCOPIC BOLLARD  $\phi 76.1$  500HAG**

Drawing No:  
**PS-RH-BT-10045/46**



P.O. Box 6, High Flatworth,  
 Tyne Tunnel Trading Estate  
 North Shields,  
 Tyne and Wear,  
 NE29 7SJ  
 Tel: (0870) 600 2425  
 Fax: (0191) 256 8041

Unless otherwise stated:  
 ALL DIMENSIONS ARE IN  
 MILLIMETERS

This drawing is the sole property and copyright of Marshalls Street Furniture and may not be disclosed to any third party or reproduced in whole or in part without the prior written consent of an authorised representative of the company.

Marshalls PLC reserves the right to change the specifications of products noted above at any time and without notice.

**DO NOT SCALE DRAWING**

Scale: N.T.S. Sheet: 1 of 1

**A4**

1 2 3 4 5 6