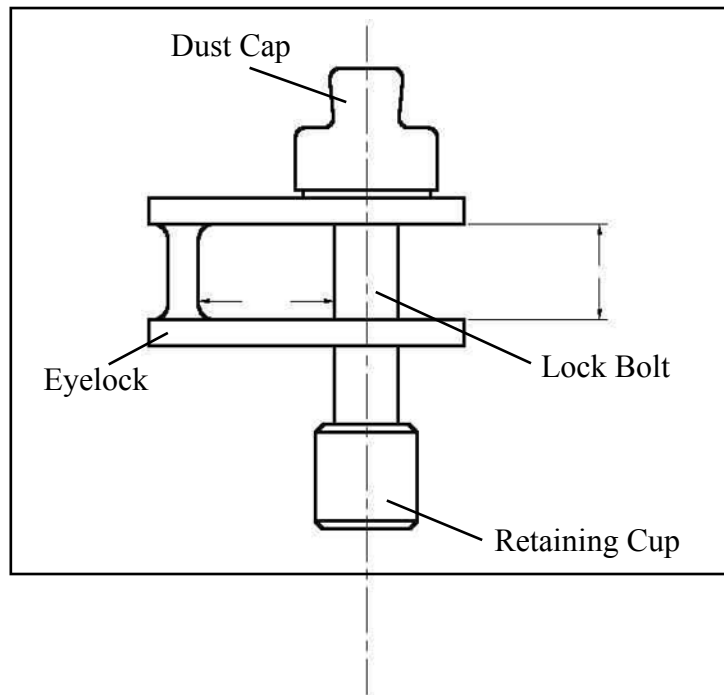


Bulldog Eyelock Fitting Instructions



1. To Lock Eyelock.

Remove lock bar, place Eyelock over trailer eye and insert lock bar. Fit retaining cup to lock bar then turn key 1/4 turn clockwise to lock. Fit plastic dust cap over lock bolt head.

2. To Unlock Eyelock.

Remove dust cap, insert key and rotate 1/4 turn anti-clockwise to remove lock bolt, remembering to hold retaining cup, then withdraw the lock bolt.

We have taken every care in the design and manufacture of this security device and we believe that it is an effective deterrent. However we cannot guarantee that it will resist the efforts of the most determined thief, and as such we do not accept any liability for loss or damage caused by theft, vandalism or other illegal activity against which this

Lock Lubrication.

IMPORTANT - To ensure free movement of the lock, spray lock mechanism & ball bearings with WD40 (or equivalent) minimum every four months.

Key Security. Enter your key number here:

IMPORTANT - Your Bulldog product is supplied with two keys. Make a note of your personal key number in the space provided above and **keep it in a safe place.** Should you lose your keys, replacements can only be

