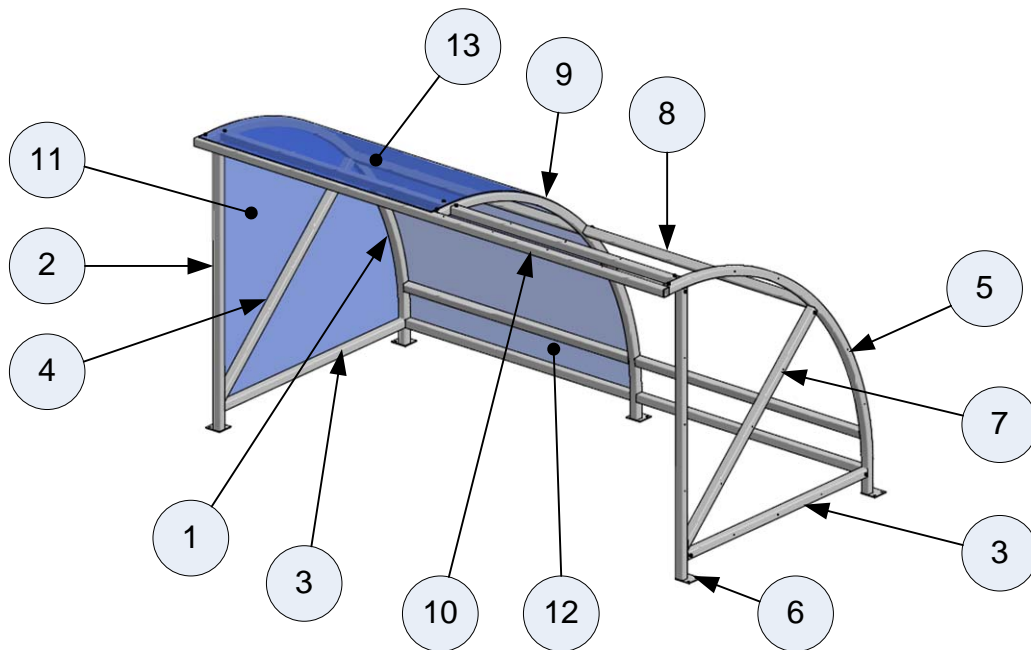


# ASSEMBLY INSTRUCTIONS GM42 SINGLE END



## PARTS LIST

1.	L/H ARC	RHS 60 MM SQUARE	1 OFF
2.	L/H UPRIGHT	RHS 60 X 2125	1 OFF
3.	BOTTOM BRACE	RHS 60 X 1880	2 OFF
4.	L/H ANGULAR BRACE	RHS 60 X 1893	1 OFF
5.	R/H ARC	RHS 60 MM SQUARE	1 OFF
6.	R/H UPRIGHT	RHS 60 X 2125	1 OFF
7.	R/H ANGULAR BRACE	RHS 60 X 1893	1 OFF
8.	TIE RAIL	RHS 60 X 1960	8 OFF
9.	CENTRE ARC	RHS 60	1 OFF
10.	FRONT TOP TIE RAIL	RHS 60 X 4100	1 OFF
11.	END PERSPEX PANEL		1 OFF
12.	SKIRT PERSPEX PANEL		2 OFF
13.	REAR PERSPEX PANEL		2 OFF
14.	HEXAGON SCREWS M10 X 25 LONG		53 OFF
15.	SELF TAPPING SCREWS M5 X 20 LONG		67 OFF
16.	FOUNDATION BOLTS M10 X 90 LONG		10 OFF
17.	SPECIAL WASHER 50 DIA		24 OFF
18.	WASHER M10		29 OFF
19.	PLASTIC CAP		2 OFF

YOU WILL NEED TWO PEOPLE, A SET OF STEPS, A SUITABLE SPANNER AND SCREWDRIVER, AND CARE NOT TO INJURE YOURSELVES OR DAMAGE THE COMPONENTS.

DO NOT TIGHTEN ANY SCREWS UNTIL ASSEMBLY IS COMPLETE

- A. ASSEMBLE LEFT HAND GABLE END 1 TO 4 ON THE FLOOR ENSURING THEY ARE THE CORRECT HAND
- B. REPEAT A FOR THE RIGHT HAND GABLE END 5 TO 7. ITEM 3 IS COMMON TO BOTH ENDS
- C. SECURE 8 TO 1 AND 9 AND THEN TO 9 AND 5
- D. SECURE 10 TO 1 AND 5 INSERT PLASTIC CAP 19 INTO ENDS OF 10
- E. FIT END PERSPEX PANEL 11 USING M5 X 20 SELF TAPPERS, LOOSEN NECESSARY SCREWS AND FIT SPECIAL WASHER 17 UNDER SCREW 14 TO RETAIN PERSPEX
- F. FIT SKIRT PERSPEX PANELS TO BASE AT REAR USING M5 X 20 SELF TAPPERS, LOOSEN NECESSARY SCREWS AND FIT SPECIAL WASHER 17 UNDER SCREW 14 TO RETAIN PERSPEX
- G. FIT REAR PERSPEX PANEL USING M5 X 20 SELF TAPPERS. LOOSEN NECESSARY SCREWS AND FIT SPECIAL WASHER 17 UNDER SCREW 14 TO RETAIN PERSPEX. THE SECOND PANEL HAS TO BE TURNED OVER AND CURVED THE OPPOSITE WAY TO SUIT THE HOLES PROVIDED
- H. TIGHTEN ALL SCREWS WHEN YOU ARE SATISFIED WITH THE ASSEMBLY
- I. INSTALL THE FOUNDATION BOLTS.